



Rugged Road Ready Features

- * Beefy, Stackable Ball Corners
- * Double Anchor Industrial Rivets
- * Recessed, Industrial Grade Latches
- * Industrial Grade Rubber Feet
- * Premium 3/8" Vinyl Laminated Plywood
- * Tongue and Groove Locking Fit
- * Rear Hinged Access Door
- * Heavy Duty Rack Rails
- * Mounting Hardware Included
- * ATA 300 Rating
- * Road Ready Limited Lifetime Warranty

Product Dimensions

Shipping Dimensions (inch): 22 x 24 x 22.8
Shipping Weight (lbs): 42.9
Product Dimensions (inch): 21.4 x 23.4 x 22.2
Product Weight (lbs):41.4
Shipping Dimensions (cm): 56 x 61 x 58
Shipping Weight (kg): 19.5
Product Dimensions (cm): 54.5 x 59.5 x 56.6
Product Weight (kg): 18.8

RRDJWS2

DJ Work Station Case for Dual
CD Player, Controller, 19" Mixer,
Top 3u, Mid 7U, Bottom 2U Racks



Forged out of the toughest materials around and ready to hit the road, the RRDJWS2 DJ workstation is built smart with our 3 level design that includes a 3-space vertical rack on the top for your CD controller, a slanted 7- space mid-level rack to accommodate your choice of 19" mixers and a bottom 2U rack for your CD player or effects. And for added comfort we even included a unique rear hinged door for easy connections to your gear

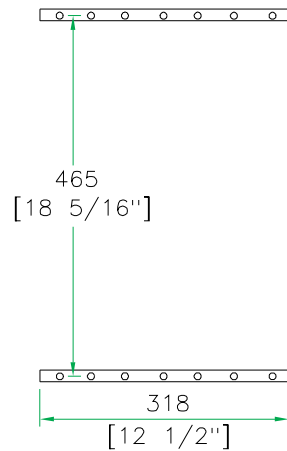
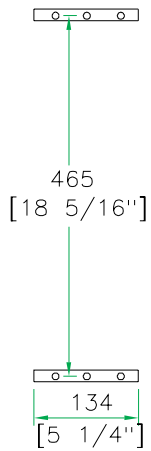
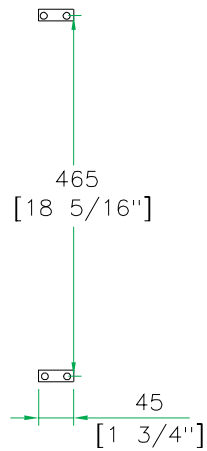
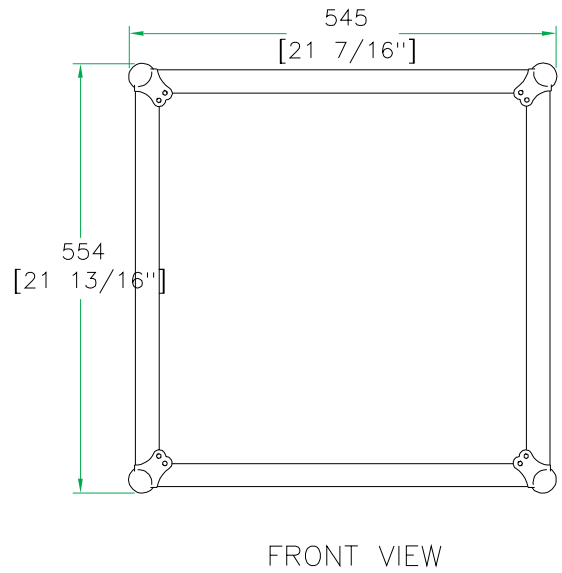
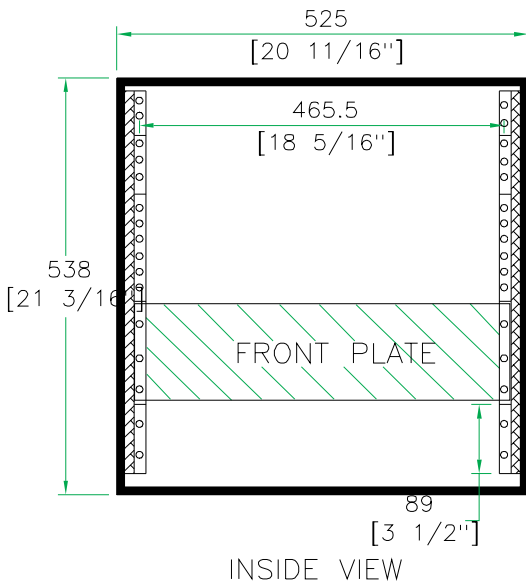
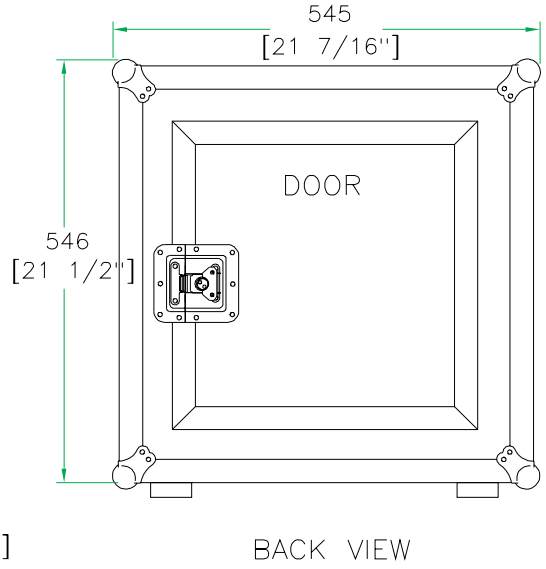
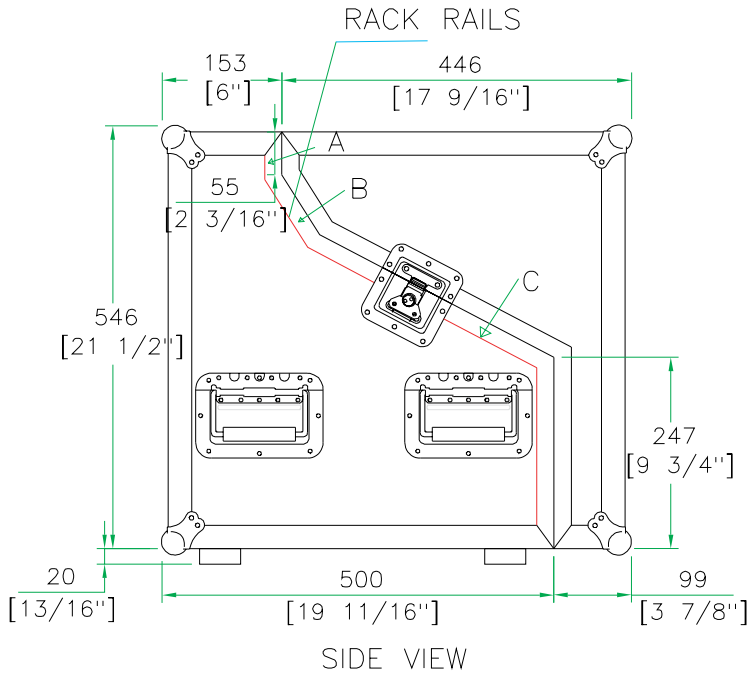
Road Ready Cases

1226 Corral Place * Santa Fe Springs, CA 90670

ph: 562.906.6185 * fax: 562.906.6186

WWW.ROADREADYCASES.COM

RRDJWS2



RACK A

RACK B

RACK C