



RRM4U

10U SLANT MIXER RACK 4U VERTICAL RACK SYSTEM



Rugged Road Ready Features

- * Beefy, Stackable Ball Corners
- * Double Anchor Industrial Rivets
- * Recessed, Industrial Grade Latches
- * Recessed, Spring Loaded Handles
- * Industrial Grade Rubber Feet
- * Premium 3/8" Vinyl Laminated Plywood
- * Tongue and Groove Locking Fit
- * Heavy Duty Rack Rails
- * Hinged Rear Door
- * Mounting Hardware Included
- * ATA 300 Rating
- * Road Ready Limited Lifetime Warranty

Product Dimensions

Shipping Dimensions (inch): 24.4 x 21.8 x 19.6

Shipping Weight (lbs): 42.9

Product Dimensions (inch): 23.8 x 21.3 x 18.8

Product Weight (lbs): 40.5

Shipping Dimensions (cm): 62 x 55.5 x 50

Shipping Weight (kg): 19.5

Product Dimensions (cm): 60.5 x 54.2 x 47.8

Product Weight (kg): 18.4

Good construction doesn't go out of style. That's our MO and that's why we create cases that are done right. Designed with a 10U slanted top rack for convenient mixer/CD controller placement and a 4U vertical rack for amp or effect units, the RRM4U is built right. The RRM4U features an 18" mountable rack depth and 2 heavy-duty removable covers. To make a good thing even better we added a unique removable, rear hinged door for easy access to your gear. At last, connections without a hassle.

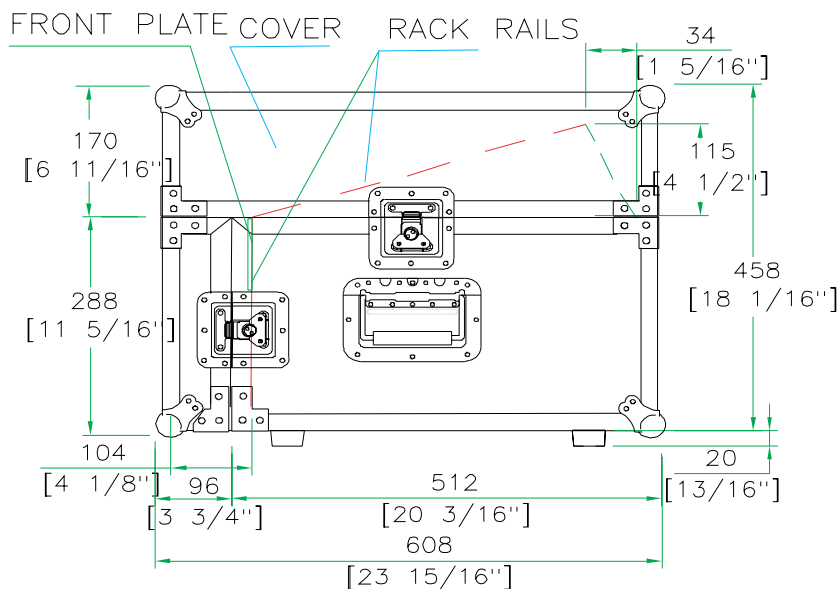
Road Ready Cases

1226 Corral Place * Santa Fe Springs, CA 90670

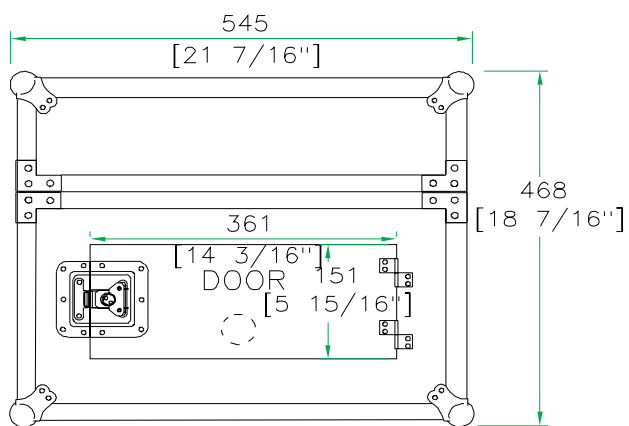
ph: 562.906.6185 * fax: 562.906.6186

WWW.ROADREADYCASES.COM

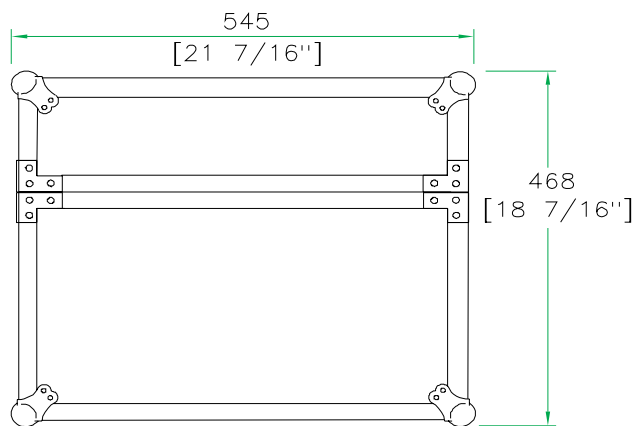
RRM4U



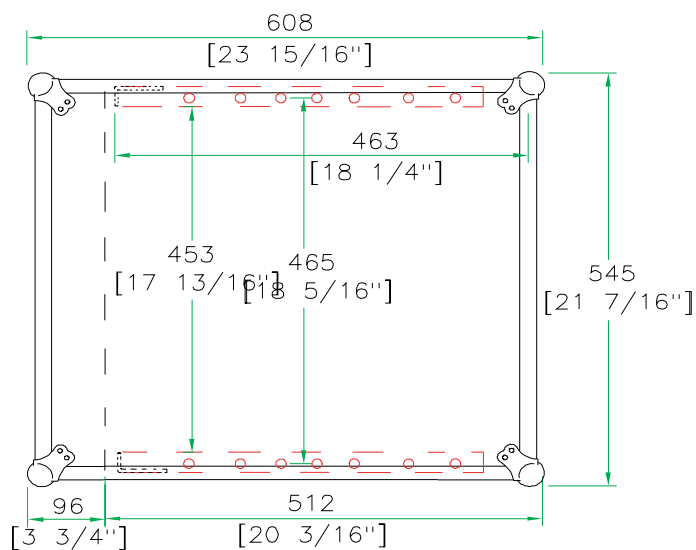
SIDE VIEW



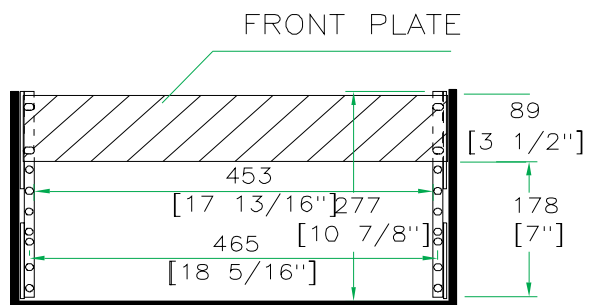
BACK VIEW



FRONT VIEW



TOP VIEW



INSIDE VIEW