



## Rugged Road Ready Features

- \* Beefy, Stackable Ball Corners
- \* Double Anchor Industrial Rivets
- \* Recessed, Industrial Grade Latches
- \* Recessed, Spring Loaded Handles
- \* Industrial Grade Rubber Feet
- \* Premium 3/8" Vinyl Laminated Plywood
- \* Tongue and Groove Locking Fit
- \* Heavy Duty Rack Rails
- \* Hinged Rear Door
- \* Mounting Hardware Included
- \* ATA 300 Rating
- \* Road Ready Limited Lifetime Warranty

## Product Dimensions

Shipping Dimensions (inch): 24.4 x 21.8 x 23.2

Shipping Weight (lbs): 45.1

Product Dimensions (inch): 23.8 x 21.3 x 22.3

Product Weight (lbs): 43.3

Shipping Dimensions (cm): 62 x 55.5 x 59

Shipping Weight (kg): 20.5

Product Dimensions (cm): 60.5 x 54.2 x 56.7

Product Weight (kg): 19.7

# RRM6U

## 10U SLANT MIXER RACK 6U VERTICAL RACK SYSTEM



Good construction doesn't go out of style. That's our MO and that's why we create cases that are done right. Designed with a 10U slanted top rack for convenient mixer/CD controller placement and a 6U vertical rack for amp or effect units, the RRM6U is built right. The RRM6U features an 18" mountable rack depth and 2 heavy-duty removable covers. To make a good thing even better we added a unique removable, rear hinged door for easy access to your gear. At last, connections without a hassle.

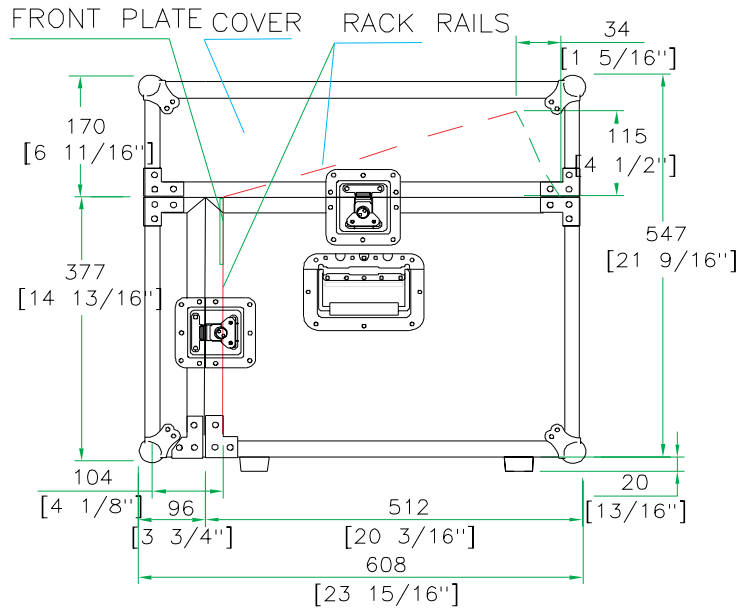
## Road Ready Cases

1226 Corral Place \* Santa Fe Springs, CA 90670

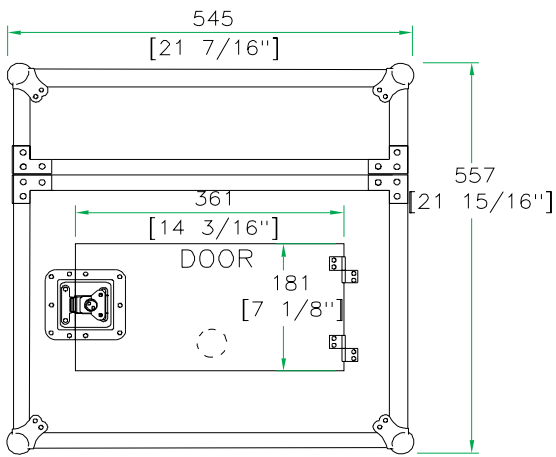
ph: 562.906.6185 \* fax: 562.906.6186

**WWW.ROADREADYCASES.COM**

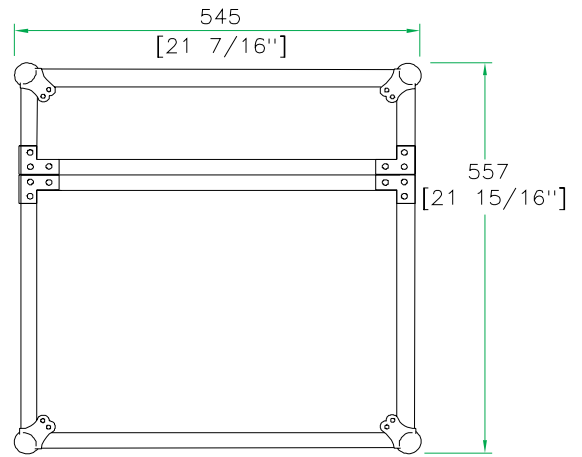
# RRM6U



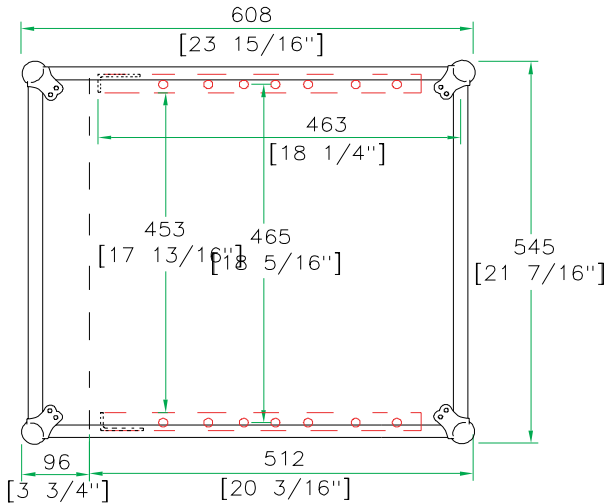
SIDE VIEW



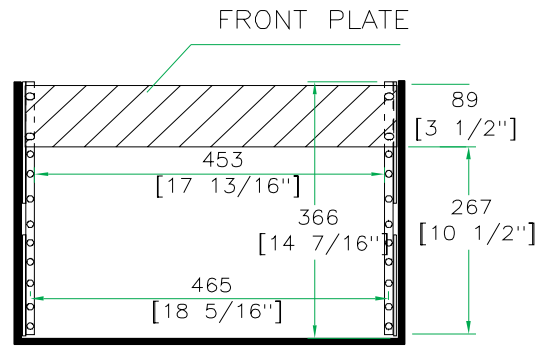
BACK VIEW



FRONT VIEW



TOP VIEW



INSIDE VIEW